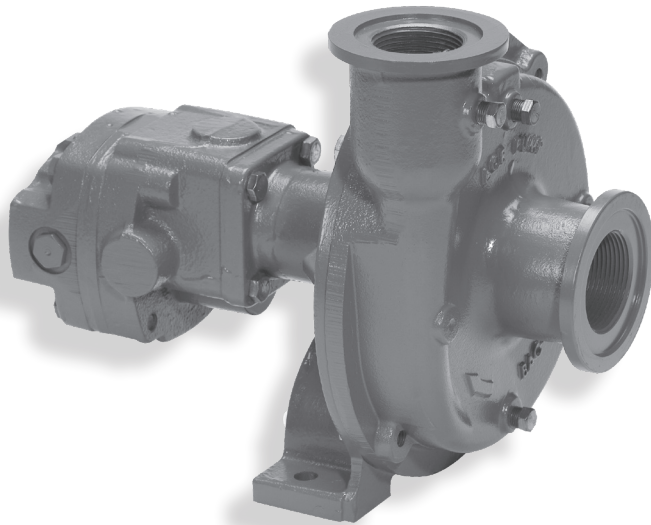




High Performance Hydraulic Motor Driven Centrifugal Pump



FMC-150F-HYD-304

- Suction 220 Flange & 1-1/2" NPT
- Discharge 200 Flange & 1-1/4" NPT
- Recommended for use on the following Hydraulic Systems:
 - ✓ Pressure Compensating Closed Center
 - ✓ Load Sensing or Pressure Flow Compensating Closed Center
 - ✓ Open Center from 11 to 20 GPM - Integral Needle Valve bypasses up to 9 GPM on Open Center Systems
- High Efficiency Gear Motor - 11 GPM Maximum Flow
- Standard Viton® Carbon/Ceramic seal or Optional Severe Duty Silicon Carbide Mechanical Seal
- Chemical Resistant Valox® or Optional Cast Iron Impeller
- Stainless Steel Shaft and Wear Ring

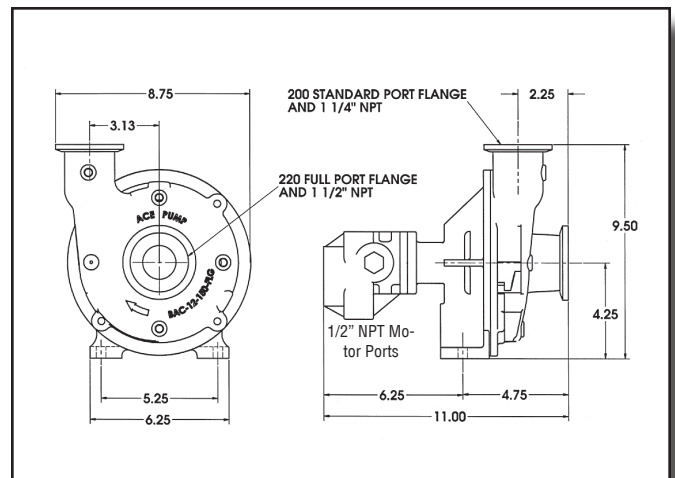
PERFORMANCE CHART

SHUT-OFF 0 GPM	60 GPM	80 GPM	100 GPM	120 GPM	140 GPM	160 GPM
130 PSI	100 PSI	88 PSI	78 PSI	60 PSI	41 PSI	20 PSI
120 PSI	94 PSI	85 PSI	71 PSI	54 PSI	37 PSI	-
100 PSI	80 PSI	68 PSI	54 PSI	40 PSI	16 PSI	-
80 PSI	66 PSI	56 PSI	44 PSI	26 PSI	-	-

Use the SHUT-OFF pressure of your spraying system to determine which line of data applies. The hydraulic system input pressure and flow will vary within the chart. Contact factory for more data.

MAXIMUM SHUT-OFF PRESSURE - 130 PSI

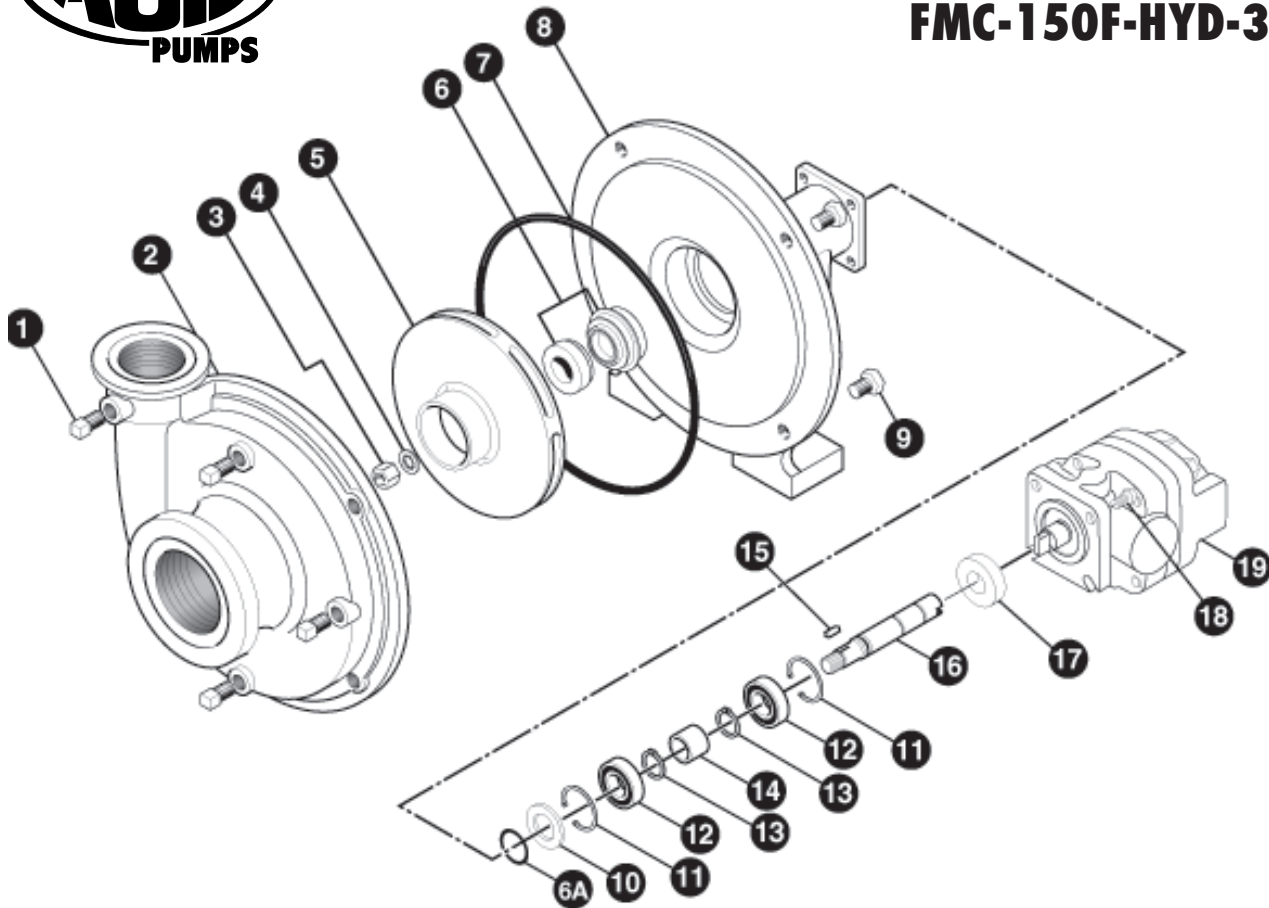
DIMENSIONS



Valox® is a registered trademark of GE Plastics.
Viton® is a registered trademark of DuPont Dow Elastomers.



FMC-150F-HYD-304



REF. #	PART NUMBER	EDP #	DESCRIPTION	REQ.
1	BAC-53	41110	Pipe plug	4
1	41120	41120	Pipe plug, stainless steel (optional)	4
2	BAC-12-150-FLG	40257	Volute, 1-1/2" NPT & 220 flange x 1-1/4" NPT & 200 flange	1
3	BAC-23-A	40391	Nut, 3/8" NF, cad plated	1
4	BAC-24-HYD-SS	40400	Washer, 3/8" star, stainless steel	1
5	BAC-26-150-P	40446	Impeller, Valox, keyway	1
5	BAC-26-150-CI	40445	Impeller, cast iron, keyway (optional)	1
6 ^①	BAC-7V	40151	Seal, mechanical, Viton (includes 40160 O-Ring)	1
6 ^②	BAC-7SC	40152	Seal, mechanical, silicon carbide (includes 40160 O-Ring) (optional)	1
6A ^{①②}	40160	40160	O-ring, shaft seal	1
7 ^{①②}	BAC-4-150	40015	O-ring, body seal	1
8	BAC-14-150-HYD-300	40304	Mounting frame (for 300 Series hydraulic motor)	1
9	40950	40950	Cap screw, 3/8" NC x 3/4" hex head	4
9	40930	40930	Cap screw, 3/8" NC x 3/4" hex head, stainless steel (optional)	4
10	BAC-54	41130	Slinger	1
11	BAC-33	40810	Snap ring, internal, BAC-14 mounting frame	2
12	BAC-37	40870	Ball Bearing, sealed, BAC-6 shaft	2
13	BAC-32	40790	Snap ring, external, BAC-6 shaft	2
14	BAC-32-S	40795	Spacer for BAC-6 shaft	1
15	BACH-25	40420	Key, 1/8" x 1/8" x 1/2"	1
16	BAC-6-HYD-SS	40061	Shaft, 5/8" diameter, keyway and tang slot, stainless steel	1
17	S300	40162	Seal support spacer for 300 Series HYD motor, effective 6/00	1
18	41330	41330	Cap screw, 5/16" N. C. x 3/4" Hex head (for 304 motor)	4
19	BAC-75-HYD-304	41381	Hydraulic motor, 11 GPM	1
①	RK-FMC-150	52710	Repair kit for FMC-150 series pump	-
②	RK-FMCSC-150	52711	Repair kit for FMC-150 series pump with silicon carbide seal	-
#	RK-BAC-75-HYD-300-L	41362	Repair kit for 300-L Series motor	-